



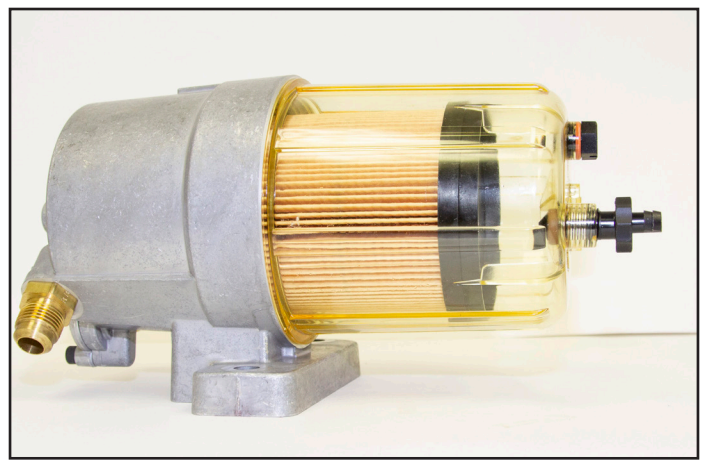
# PRODUCT UPDATE

Improvement in filter media efficiency has resulted in a design change for the WIX WF10499 and WF10500 fuel filters. When installed, the improved filter design engages the fuel head post at the top of the valve (C). As a result, the new filters have a reduced overall height. The WIX WF10499 and WF10500 filters continue to fit, function, and provide excellent fuel filtration in all cataloged applications.

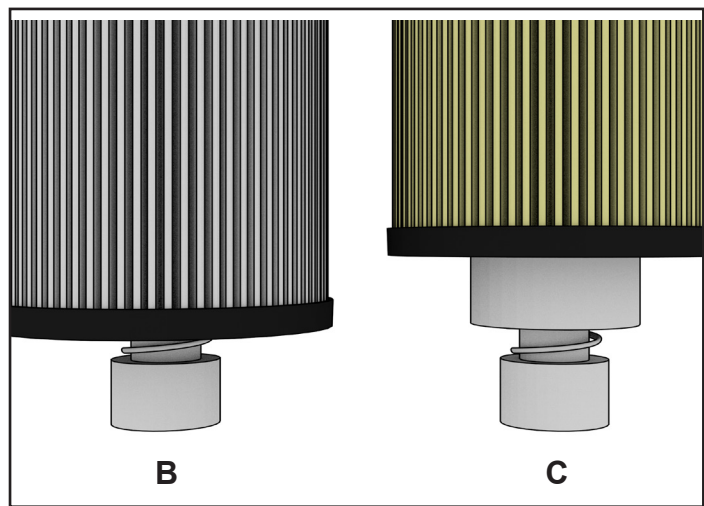
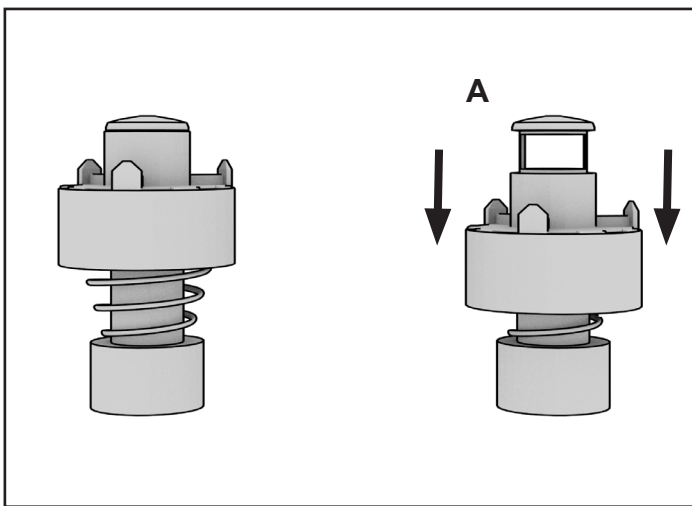
## WF10499 and WF10500 Fuel Filter Update



When the filter is engaged, the fuel valve is in the open position. (A)



The OES filter seals over the fuel valve (B). The WIX filter seals at the top of the fuel valve (C). Both filters open the fuel valve when installed.



As a reminder, it has always been, and remains our recommendation that the selection of a replacement filter be conducted using only the most current application information available. In today's cataloging, the electronic (i.e. internet, interactive electronic) would be the most current application information available. For questions or more information, please contact your local WIX Filters District Manager or call Product Information at 1.800.949.6698